

## SERVICE UNDER WARRANTY

RC60 comes with a standard 12 month manufacturer's warranty. If, for some reason your unit requires service under warranty return RC60 by special delivery and in suitable packaging to:

**The Returns Dept., Performance Products Limited,  
Cleaver House, Sarus Court, Manor Park, Runcorn WA7 1UL**

Enclose the following information:

- (a) Your name, address and a full description of the problem.
- (b) A telephone number where you can be reached during business hours.
- (c) Serial number of your unit.
- (d) Proof of Purchase

**PLEASE NOTE: We cannot process any warranty claims unless proof of purchase is provided. Please retain your receipt as a precaution. Full terms and conditions of warranty are available on request.**

### Disposal of Old Electrical & Electronic Equipment



This symbol on a product or its packaging indicates that this product shall not be treated as household waste. It should be handed over to an applicable collection point for the recycling of electrical equipment.

By ensuring that this product is disposed of correctly you will help/prevent potential negative impact on the environment. The recycling of materials will help to conserve natural resources.

For further details about recycling please contact your local civic office or the shop where it was originally purchased.

### Disposing of the Battery

Please check with your local waste management service authority regarding regulations for the safe disposal of the battery. The battery should never be placed in municipal waste. Use a battery disposal facility if available.



[www.snooper.co.uk](http://www.snooper.co.uk)



A wholly owned subsidiary  
of Cobra Electronics UK Ltd



snooperuk



@snooperuk

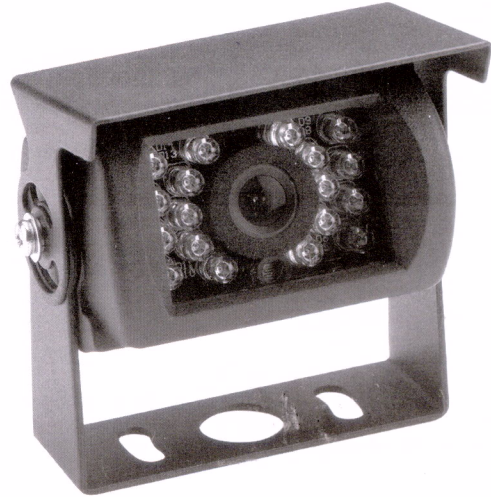


SnooperUK

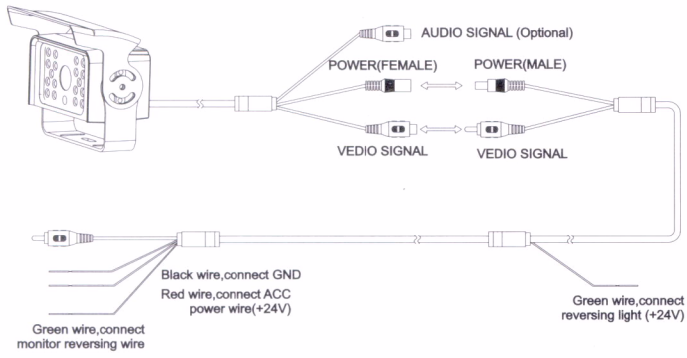


## INSTALLATION GUIDE

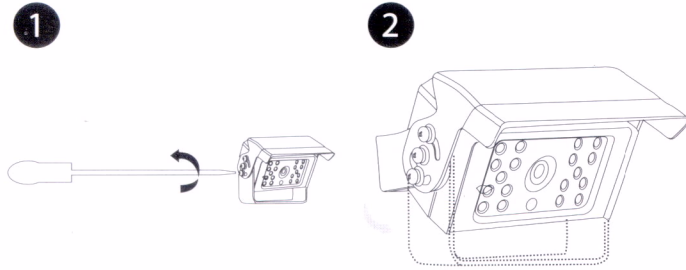
### RC60 PARKING CAMERA



## CONNECTION



## INSTALLATION

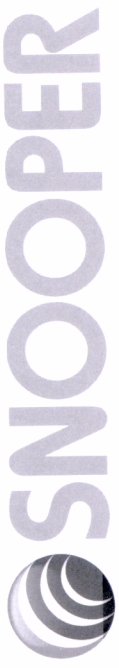


**Copyright UK**  
Copyright ©2014 SNOOPER. All rights reserved. Product specifications and features are for reference only and are subject to change without prior notice.

**Declaration**  
This User Manual is published by SNOOPER without any warranty. Improvement and changes to this User Manual necessitated by typographical errors, inaccuracies of current information, or improvements to programs and/or equipment, may be made by Performance Products Limited any time and without notice. Such changes will, however, be incorporated into new editions of this User Manual.

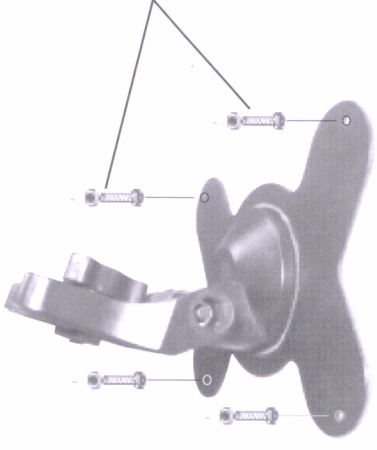
## SPECIFICATION

Model	RC 60
Image Device	1/3" CCD
Picture Resolution	300,000 pixels
Signal System	NTSC/PAL
Internal Lens	2.8mm
Sync System	Internal
Horizontal Resolution	420 TV lines
Signal-to-Noise Ratio	Better than 45dB
Audio Function	Optional
Backlight Compensation	Automatic
White Balance	Automatic
Automatic Gain Control	Automatic
Image	Mirror
Video Output	1 Vp-p / 75Ω
Field of View	120°
IP Rating	IP67
Power Supply	DC 18-36V
Current Consumption	100mA
Operating Temperature	-20~+70°C
Storage Temperature	-30~+80°C
Minimum Illumination	0 lux
Infrared Wave Length	850nm
Infrared Lamps	18 pcs
Infrared Lamps Auto Turn On/Off	On (<10 lux) / Off (Day)

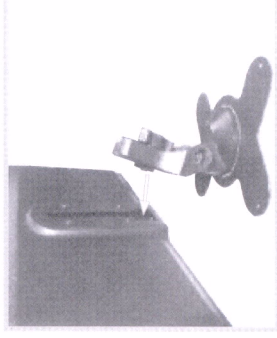


# INSTALLATION

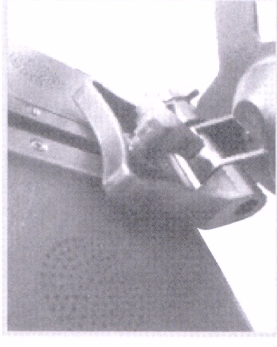
1



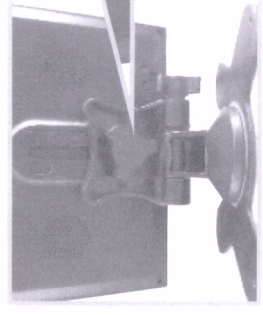
2



3



4



5

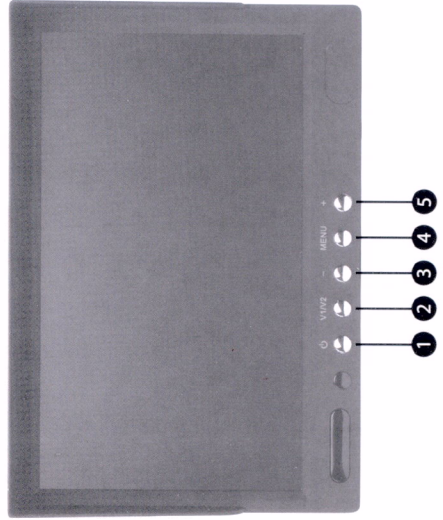


## BOX CONTENTS



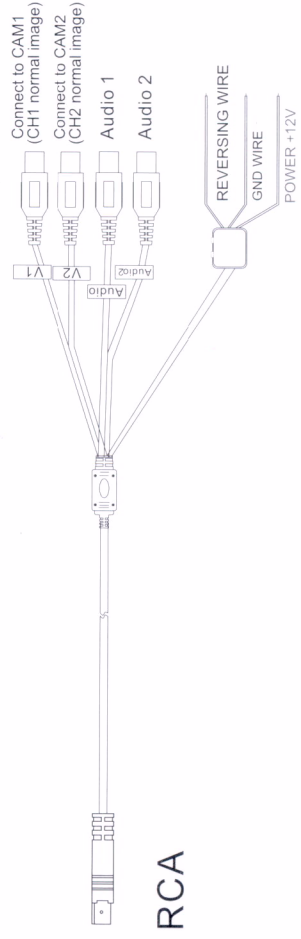
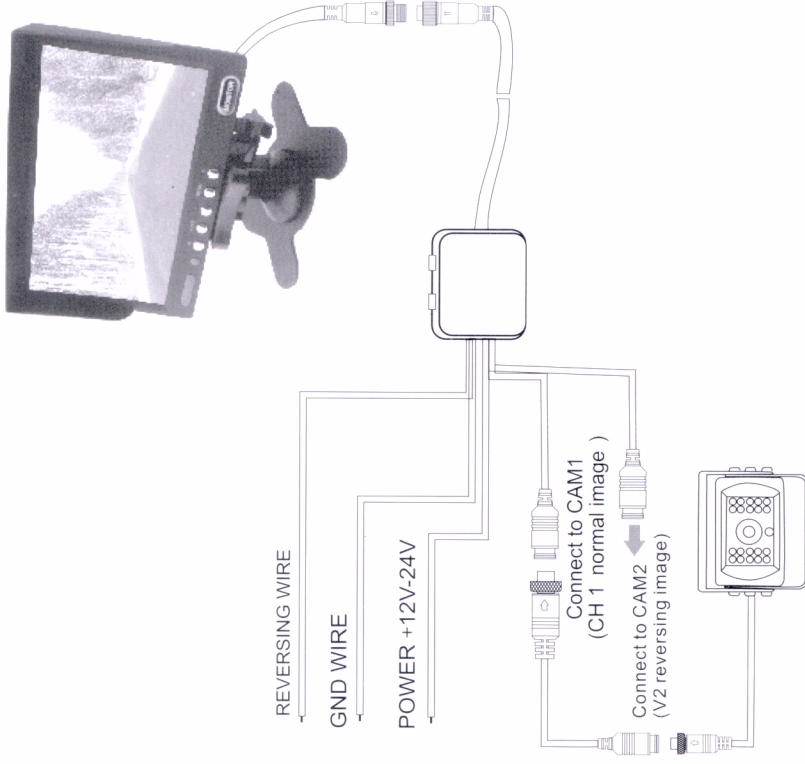
- 1 x 7" Monitor,
- 1 x Dashboard mounting bracket,
- 1 x Power/audio/video wiring loom
- 1 x Remote control

## MONITOR



- 1 Power
- 2 V1 (channel 1) V2 (channel 2)
- 3 Decrease Setting
- 4 Menu
- 5 Increase Setting

## CONNECTION

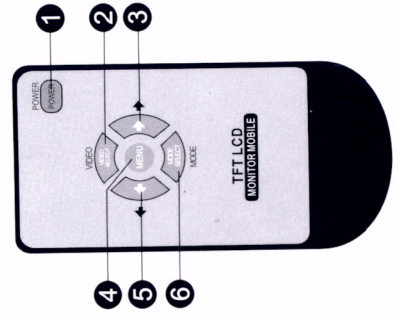


RCA

## SPECIFICATION

<b>Model</b>	<b>RC1000</b>
Screen Size	7 inch
Aspect Ratio	16:9
Luminance	300 cd/m <sup>2</sup>
Resolution	480 x 234 RGB
Audio & Video	2 video/2 audio input (dual channel, single image display)
System	PAL & NTSC automatically
Voltage	12V~24V
Language	English, French, German, Turkish, Spanish, Portuguese, Italian, Dutch.
	OSD Menu
	Built-in Speaker

## REMOTE CONTROL



- 1 Power
- 2 V1 (channel 1) V2 (channel 2)
- 3 Up
- 4 Menu
- 5 Down
- 6 Mode Selection

## SERVICE UNDER WARRANTY

RC1000 comes with a standard 12 month manufacturer's warranty. If, for some reason your unit requires service under warranty return RC1000 by special delivery and in suitable packaging to:

**The Returns Dept., Performance Products Limited,  
Cleaver House, Sarus Court, Manor Park, Runcorn WA7 1UL**

Enclose the following information:

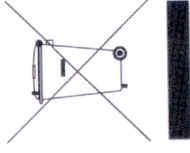
- (a) Your name, address and a full description of the problem.
- (b) A telephone number where you can be reached during business hours.
- (c) Serial number of your unit.
- (d) Proof of Purchase

**PLEASE NOTE: We cannot process any warranty claims unless proof of purchase is provided. Please retain your receipt as a precaution. Full terms and conditions of warranty are available on request.**

## Disposal of Old Electrical & Electronic Equipment

This symbol on a product or its packaging indicates that this product shall not be treated as household waste. It should be handed over to an applicable collection point for the recycling of electrical equipment.

By ensuring that this product is disposed of correctly you will help/ prevent potential negative impact on the environment. The recycling of materials will help to conserve natural resources.



For further details about recycling please contact your local civic office or the shop where it was originally purchased.

## Disposing of the Battery

Please check with your local waste management service authority regarding regulations for the safe disposal of the battery. The battery should never be placed in municipal waste. Use a battery disposal facility if available.

### Copyright UK

Copyright ©2014 SNOOPER. All rights reserved. Product specifications and features are for reference only and are subject to change without prior notice.

### Declaration

This User Manual is published by SNOOPER without any warranty. Improvement and changes to this User Manual necessitated by typographical errors, inaccuracies of current information, or improvements to programs and/or equipment, may be made by Performance Products Limited any time and without notice. Such changes will, however, be incorporated into new editions of this User Manual.



**SNOOPER**



A wholly owned subsidiary  
of Cobra Electronics UK Ltd

www.snooper.co.uk



snooperuk



@snooperuk



SnooperUK